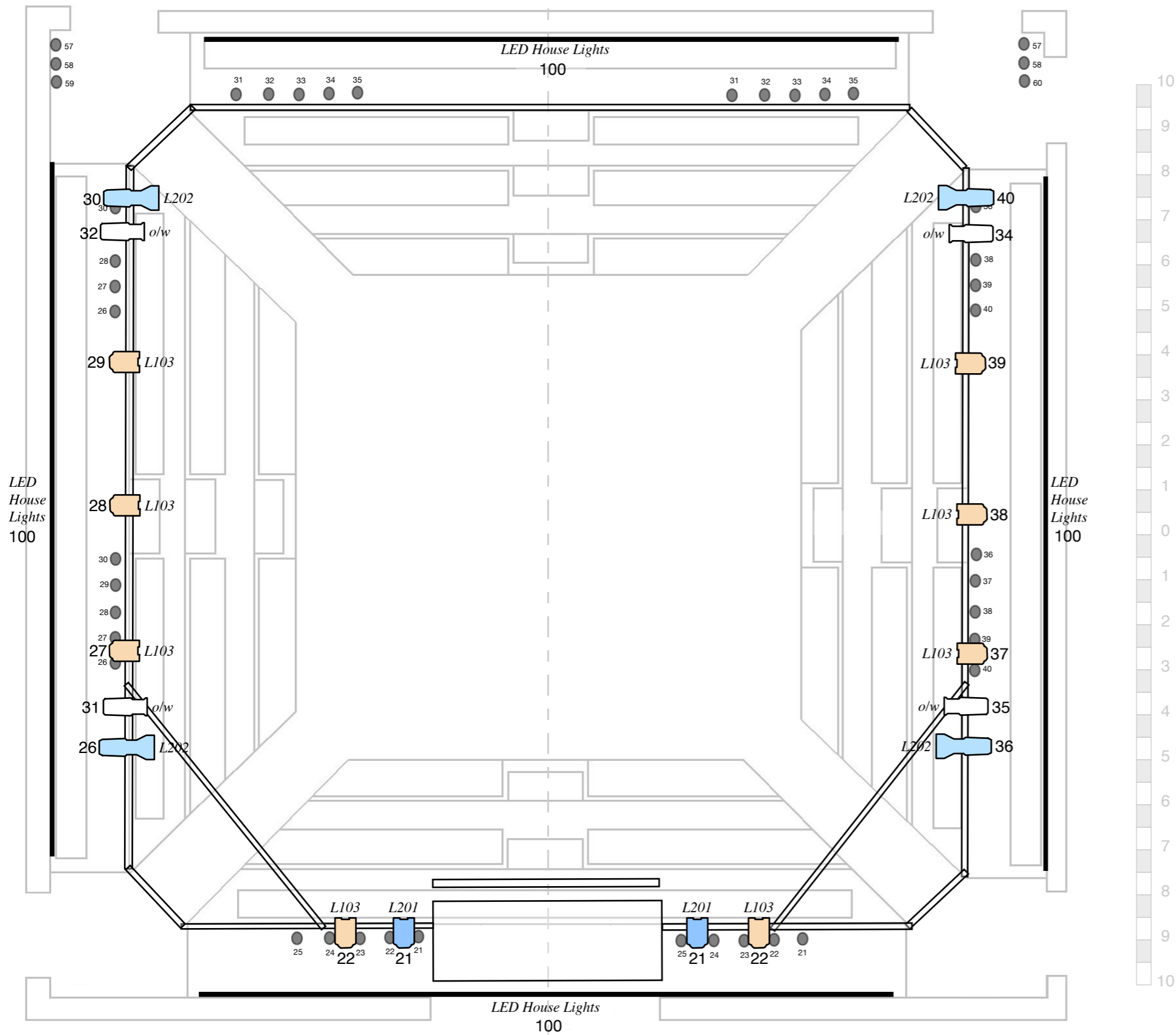


THE COCKPIT - 2021 - Standard Lighting Rig Plan

10 9 8 7 6 5 4 3 2 1 0 1 2 3 4 5 6 7 8 9 10

LOWER GANTRY - Dimmers and Lanterns



LANTERNS

- 2 x ETC Source Four Jr Zoom 25/50 500W Profile (medium throw)
- 16 x Strand Patt 743 1kW Fresnel
- 2 x Strand Brio
- 6 x Strand Harmony 15/28 1kW Profile (medium throw)
- 2 x Strand Harmony 22/40 1kW Profile (medium throw)
- 4 x CCT Sil 30 1kW Profile (medium throw)
- 10 x Strand Patt 23 500W Profile (short throw)
- 4 x Strand Prelude 16/30 500W Profile (short/medium)
- 8 x Strand Patt 264 1kW Profile (medium throw)
- 12 x Parcan CP62 1kW Par lamp

POWER SUPPLY

- 60 x 2kW (10amp Fuse) dimmable ways on 63amp.
- 3 phase supply, 20 ways per phase.
- RED PHASE : Top Gantry, Channels 1-20
- YELLOW PHASE: Lower Gantry, Channels 21-40
- BLUE PHASE: Central Tee, Channels 41-56 & Floor, Channels 57-60
- No crossing of phase areas - lanterns must be hung on correct phase

HOUSE LIGHTING

- House lights - channels 6 + 16 + 100 - must be used at 100%
- 8 x Patt 123 fresnel, 500W (6 for thrust seating, 8 for round)
- Channels 6 + 16 are for the patt 123's, channel 100 is the LED's under the gantry which light the back rows of seating, all 3 channels must be used in your shows preset/interval/post show cues
- The front of house duty manager may delay the start of your show if the house lighting needs to be restored or reprogrammed at full.

Key

- L148 - Gel number (Lee)
- General Wash - Strand Patt 743 1kW Fresnel
- 17 - Channel Number
- ETC Source Four Jr Zoom 25/50 500W Profile (medium throw)
- Strand Prelude 16/30 500W Profile (short/medium)
- Strand Harmony 15/28 1kW Profile (medium throw)
- Parcan CP62 1kW Par lamp
- House lights - Strand Patt 123 500W Fresnel

THE COCKPIT

Cockpit Theatre
020 7258 2925
www.thecockpit.org.uk

Technical Production Manager: Deb Jones
deb@thecockpit.org.uk

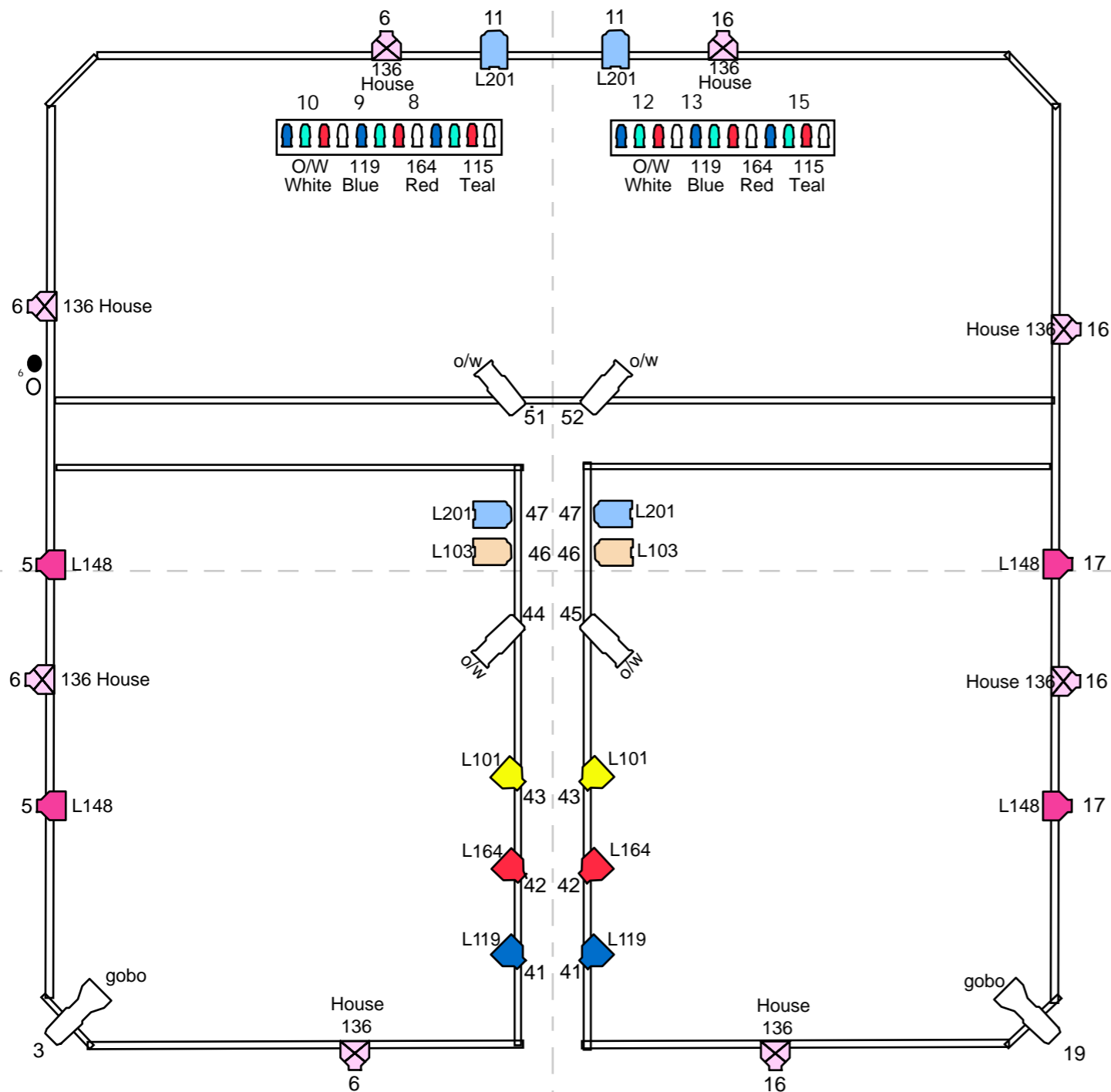
Cockpit Standard Lighting Rig Plan

DATE 11/10/21

THE COCKPIT - 2021 - Standard Lighting Rig Plan



UPPER GANTRY - Dimmers and Lanterns



LANTERNS

- 2 x ETC Source Four Jr Zoom 25/50 500W Profile (medium throw)
- 16 x Strand Patt 743 1kW Fresnel
- 2 x Strand Brio
- 6 x Strand Harmony 15/28 1kW Profile (medium throw)
- 2 x Strand Harmony 22/40 1kW Profile (medium throw)
- 4 x CCT Sil 30 1kW Profile (medium throw)
- 10 x Strand Patt 23 500W Profile (short throw)
- 4 x Strand Prelude 16/30 500W Profile (short/medium)
- 8 x Strand Patt 264 1kW Profile (medium throw)
- 12 x Parcan CP62 1kW Par lamp

POWER SUPPLY

- 60 x 2kW (10amp Fuse) dimmable ways on 63amp.
- 3 phase supply, 20 ways per phase.
- RED PHASE: Top Gantry, Channels 1-20
- YELLOW PHASE: Lower Gantry, Channels 21-40
- BLUE PHASE: Centre, Channels 41-56 & Floor, Channels 57-60
- No crossing of phase areas - lanterns must be hung on correct phase

HOUSE LIGHTING

- House lights - channels 6 + 16 + 100 - must be used at 100%
- 8 x Patt 123 fresnel, 500 W (6 for thrust seating, 8 for round)
- Channels 6 + 16 are for the patt 123's, channel 100 is the LED's under the gantry which light the back rows of seating, all 3 channels must be used in your shows preset/interval/post show cues
- The front of house duty manager may delay the start of your show if the house lighting needs to be restored or reprogrammed at full.

Key

- L148 - Gel number (Lee)
- [Symbol] - LULYHS >HZO :[YHUK 7H[[R> -YLZU
- 17 - Channel Number
- [Symbol] ETC Sour JL - V\Y 1Y AVVT VÄS▷ 7FLK7AT [C
- [Symbol] Strand Prelude 16/30 500W Pr VÄSL ZOVY[TLKP\T
- [Symbol] Strand Harmony 15/28 1kW Pr VÄSL TLK7AT [Or
- [Symbol] Parcan CP62 1kW Par lamp
- [Symbol] /V\ZL SPNO[Z :[YHUK 7H7P\LS > -r

Cockpit Theatre
020 7258 2925
www.thecockpit.org.uk

Technical Production Manager: Deb Jones
deb@thecockpit.org.uk

Cockpit Standard Lighting Rig Plan

DATE 11/10/21